

## ISTRUZIONI DI MONTAGGIO

FITTING INSTRUCTIONS  
 INSTRUCTIONS DE MONTAGE  
 MONTAGEANLEITUNG  
 INSTRUCCIONES DE MONTAJE

DISPOSITIVO DI TRAINO TIPO TOWING BRACKET TYPE DISPOSITIF DE REMORQUAGE TYPE ANHAENGEVORRICHTUNG TYP DISPOSITIVO DE CAREO TIPO	<b>15011</b>
--	--------------

PER AUTOVEICOLI FOR CARS POUR AUTOS FUR KRAFTFAHRZEUGE PARA AUTOVEHICULO	<b>HONDA CIVIC 3-5 doors</b>
--	------------------------------

<b>TYPE</b>	EP, EU	2001 =>
-------------	--------	---------

CLASSE E TIPO DI ATTACCO CLASS AND HITCH TYPE CLASSE ET TYPE DE CROCHET KLASSE UND BEFESTIGUNGSART CLASES DE ACOPLAMIENTO	OMOLOGAZIONE HOMOLOGATION HOMOLOGATION ZULASSUNG APROBACION	CARICO VERTICALE MAX S VALUE MASSE VERTICALE MAXIMUM ZUL. STUETZLAST CARGA MAX. VERTICAL
---	---	--

A50 - X	e3 00 - 7068 (DIR. 94/20/CE)	S = kg 83
---------	---------------------------------	-----------

VALORE D D VALUE VALEUR D D WERT VALOR D	$D = \frac{\begin{matrix} \text{Max} \downarrow \text{Kg} \\ \text{---} \times \text{---} \\ \text{Max} \downarrow \text{Kg} \end{matrix} + \begin{matrix} \text{Max} \downarrow \text{Kg} \\ \text{---} + \text{---} \\ \text{Max} \downarrow \text{Kg} \end{matrix}}{\times 0,00981} \leq \mathbf{Kn 7,4}$
--	--

COPPIA DI SERRAGGIO PER VITI (8.8): TORQUE SETTINGS FOR NUTS AND BOLTS (8.8): COUPLE DE SERRAGE POUR VIS (8.8): SCHRAUBENANZUGSMOMENT (8.8): MOM. DE PRESION PARA TORNILLOS Y TUERCAS (8.8):	M6 = 10 Nm      M8 = 25 Nm M10 = 55 Nm     M12 = 85 Nm M14 = 135 Nm    M16 = 200 Nm
--	---

## **SAFETY INSTRUCTIONS**

- ◆ Make sure that the tow bar is suitable for the vehicle before starting the installation. Verify that the vehicle's towing disposal quoted on the car registration at the points D.1/ D.2 is mentioned on the tow bar document. Otherwise ask the proper office for explanation or updated documents.
- ◆ For safety, all work involving tow bar installation must be undertaken by skilled technicians.
- ◆ Damaged components must be replaced with manufacturer's spares parts by qualified staff.
- ◆ It is forbidden to make any modification or structural repair to the tow bar.

## **USE AND MAINTENANCE**

- ◆ The tow ball must be kept clean and lubricated. For added safety, his diameter (50 mm) must be checked at regular intervals. If the tow ball measures less than 49 mm after selected readings across the diameter, the tow ball must be replaced with a new one.
- ◆ After 1000 km of towing, check torque settings for nuts and bolts, in accordance with the table.

## **CAUTION**

The towbar installer must fix at the same level with the ball in a clear position, a plate with the ball's maximum load for the vehicle on which the tow bar is fitted.

# FITTING INSTRUCTIONS

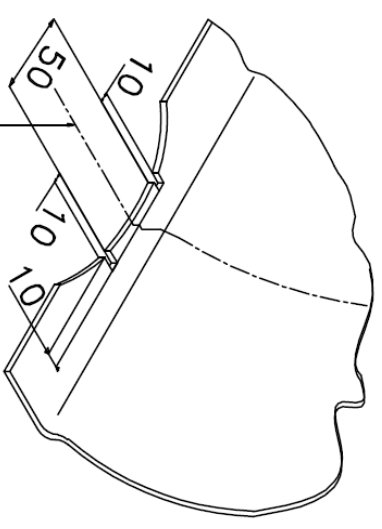
## 15011

Remove below the vehicle any mastic from contact points between the chassis and the towbar; then paint mastic free pieces with rust inhibitor. The holes for the towbar fixing are partially available.

1. Remove the bumper and eliminate the inner reinforcement bar;
2. Remove the lateral coating inside the boot and loose the petrol pump;
3. Place the tie rods "B" and "C" on the left and on the right respectively (as shown in the enclosed layout) referring to the fixing points "04"
4. Mark the holes "03" and "05" and remove the tie rods "B" and "C";
5. Drill the points "03" to  $\varnothing 13$  up to the boot's inside and then drill to  $\varnothing 10$  the points "05" from underneath;
6. Insert the screws "03" from the inside and replace the tie rods "B" and "C" interposing the spacer;
7. Insert the screws "05" together with the wide washers from the inside to fix the tie rods;
8. Fix the cross bar "A" referring to "03" and "04";
9. Make a bumper's cut, as shown in the enclosed layout;
10. Connect the wiring to the socket, following the car booklet's instructions "use and maintenance" as shown in the enclosed wiring kit layout;
11. Tighten all bolts and nuts as shown in the enclosed layout;
12. Fix the petrol pump, back together the bumper and the boot's inner coating.

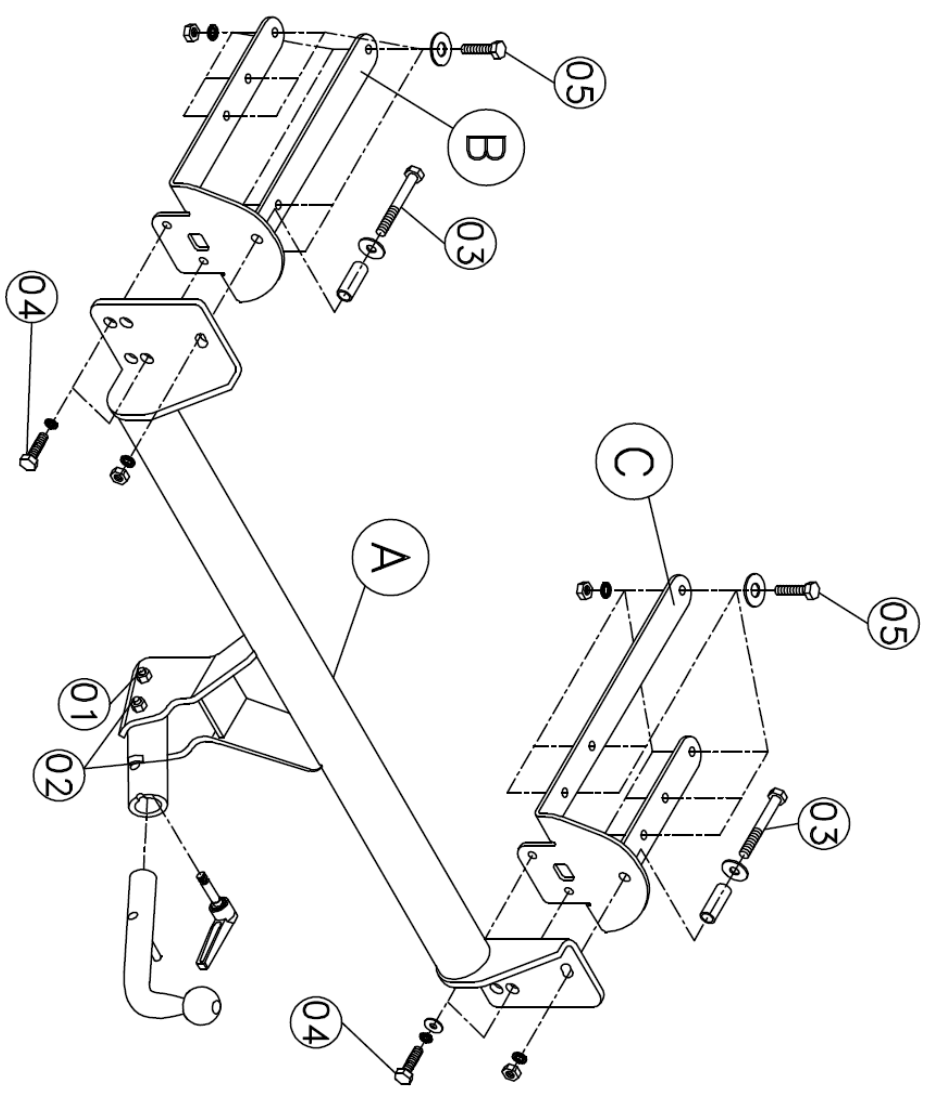
15011 / 3

**TAGLIO PARAURTI  
BUMPER'S CUT  
COUPE PARE-CHOC  
AUSSCHNITT STOSSTANGE  
РАЗРЕЗ БАМПЕРА  
РОЗРІЗ БАМПІТЕРУ**



**Mezzeria autoveicolo  
Centre line  
Ligne Médiane  
Mittellinie des Fahrzeugs  
Средина транспортного средства  
Середина транспортного засобу**

01	1x	M12x80	CONTACT 12x27x2	M12		
02	2x	M12x20	CONTACT 12x27x2			
03	2x	M12x80	12x36x2	ø17x2 Lg. 44mm	CONTACT 12x27x2	M12
04	4x	M8x40	CONTACT 8x18x1,5			
05	12x	M8x40	8x24x1,5	CONTACT 8x18x1,5	M8	

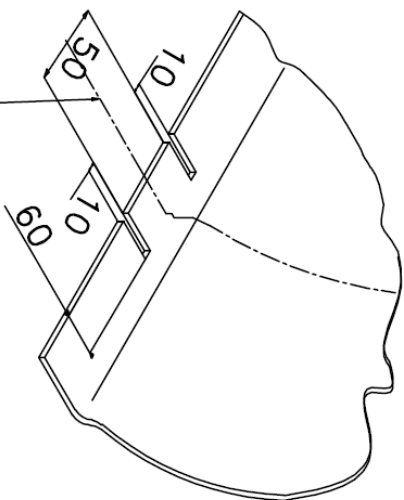
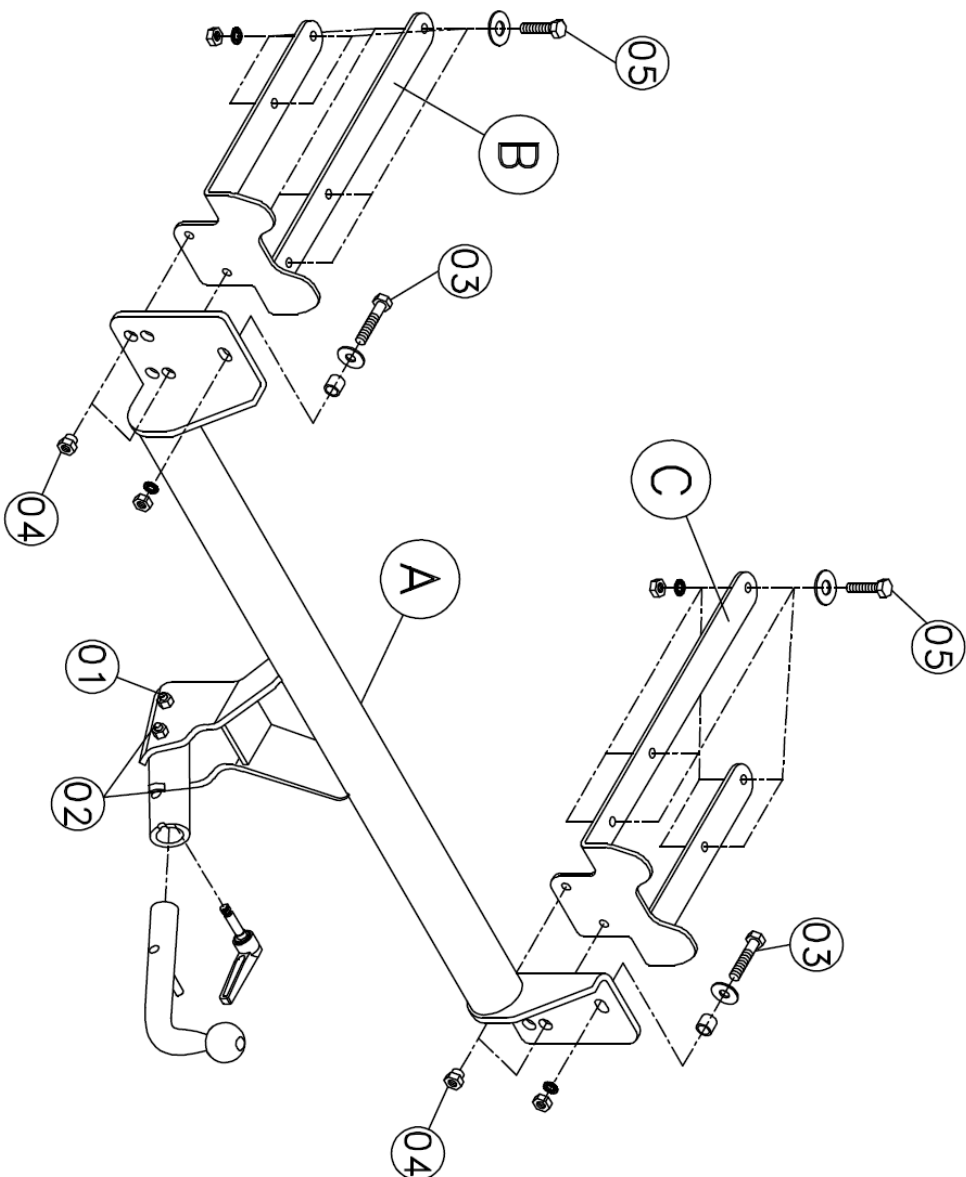


REV.00

15011/5

**TAGLIO PARAURTI  
BUMPER'S CUT  
COUPE PARE-CHOCS  
AUSSCHNITT STOBSTANGE  
РАЗРЕЗ БАМПЕРА  
РОЗРІЗ БАМПЕРУ**

01	1x	M12x80	CONTACT 12x27x2	M12		
02	2x	M12x20	CONTACT 12x27x2			
03	2x	M12x50	12x36x2	φ17x2 Lg. 15mm	CONTACT 12x27x2	M12
04	4x	M8				
05	10x	M8x40	8x24x1,5	M8		



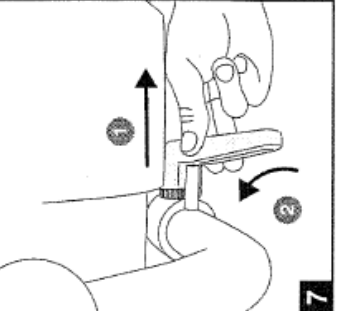
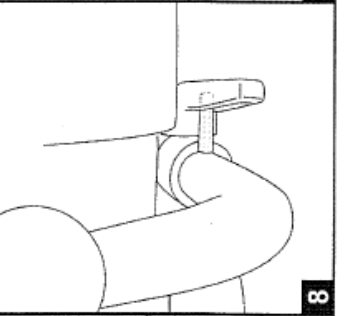
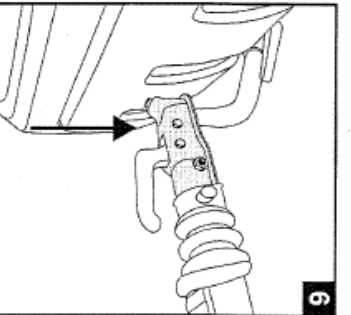
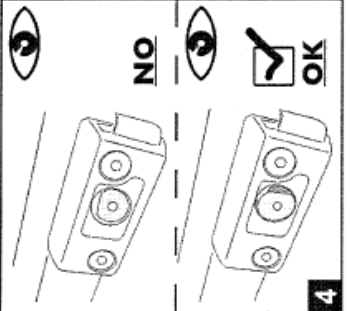
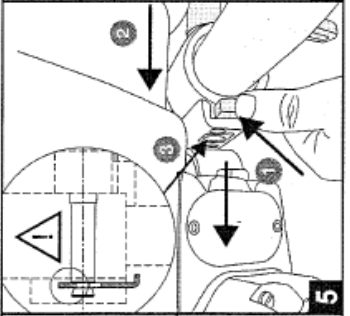
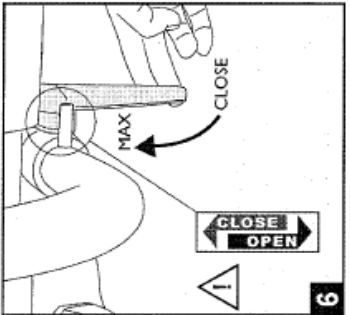
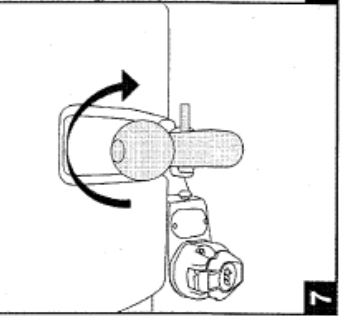
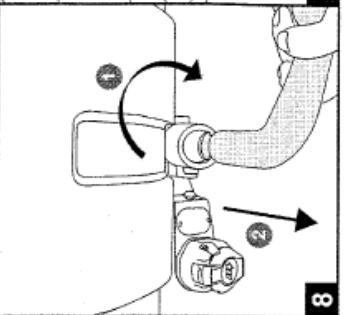
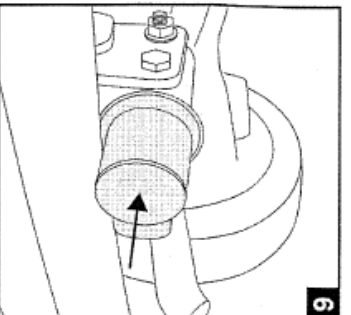
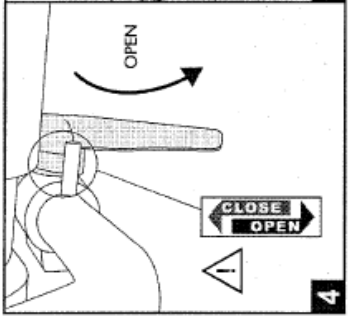
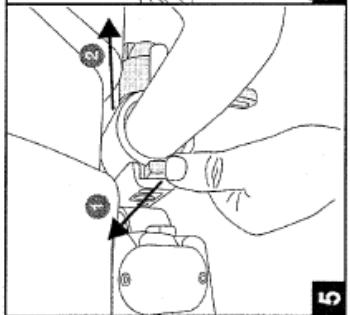
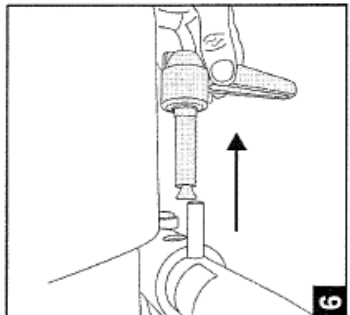
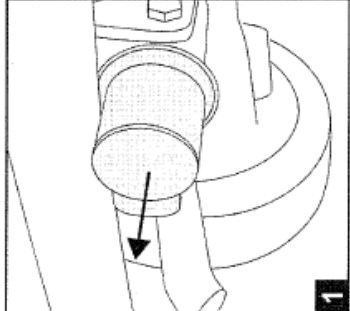
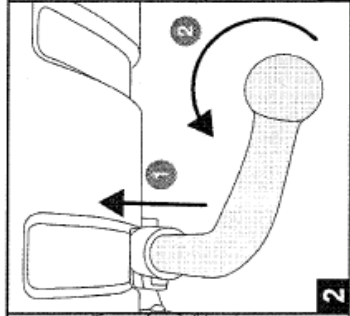
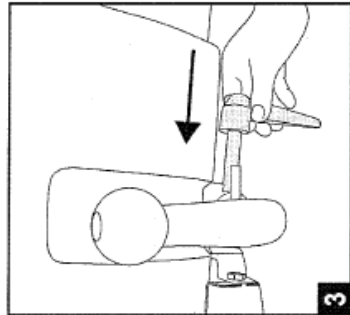
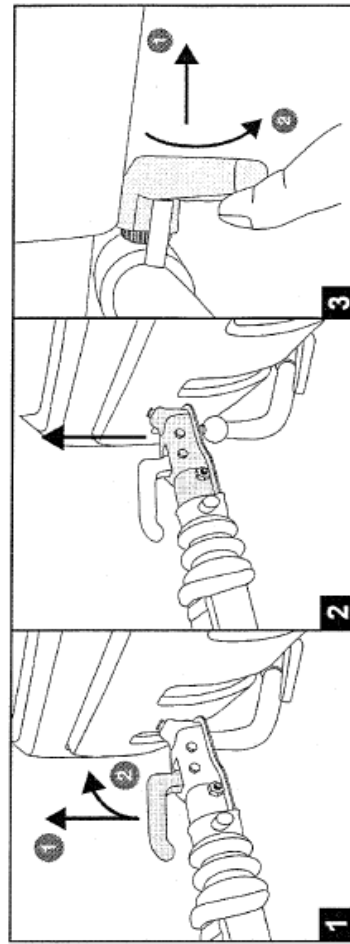
**Mezzeria autoveicolo**  
Centre line  
Ligne Médiane  
Mittellinie des Fahrzeugs  
Средина транспортного средства  
Середина транспортного засобу

REV.00

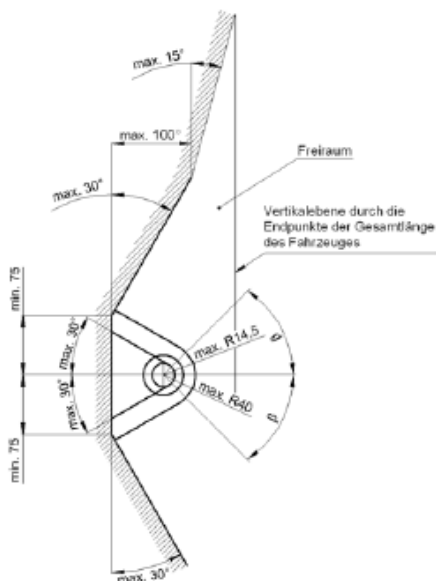
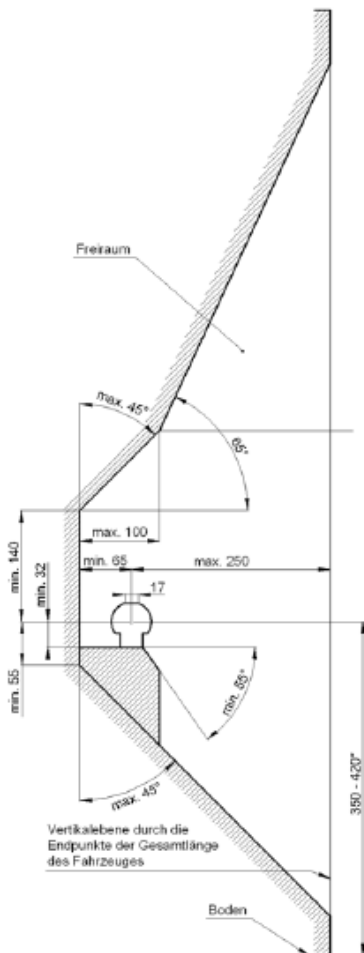
**MECCANISMO MOD. C 2007**

<b>NL - Demontage</b>	<b>S - Demontering</b>	<b>I - Smontaggio</b>
<b>GB - Disounting</b>	<b>DK - Frakobling</b>	
<b>D - Demontage</b>	<b>FIN - Irrotta</b>	
<b>F - Démontage</b>	<b>E - Desmontaje</b>	

<b>NL - Montage</b>	<b>S - Montering</b>	<b>I - Montaggio</b>
<b>GB - Mounting</b>	<b>DK - Tilkobling</b>	
<b>D - Montage</b>	<b>FIN - Asennus</b>	
<b>F - Montage</b>	<b>E - Montaje</b>	







- D** Der Freiraum nach Anhang 7, Abbildung 25a und 25b der Richtlinie ECE-R 55 ist zu gewährleisten.
- CZ** Volný prostor ve smyslu Přílohy VII, obr. 25a a 25b směrnice ECE-R 55 musí být zaručen.
- DK** Det skal sikres, at der er spillerum i overensstemmelse med bilag 7, fig. 25a og 25b i henhold til direktiv ECE-R 55.
- E** Hay que garantizar el espacio libre conforme al anexo 7, fig. 25a y 25b de la directiva ECE-R 55.
- F** La zone de dégagement, selon l'annexe 7, figure 25a et 25b de la directive ECE-R 55, doit être assurée.
- FIN** Välyksen tulee täyttää ohjeen ECE-R 55 liitteen 7 kuvissa 25a ja 25b ilmoitetut vaatimukset.
- GB** Make sure to provide clearance according to appendix 7, figures 25a and 25b of the ECE-R 55 regulations.
- GR** Πρέπει να εξασφαλίζεται ο ελεύθερος χώρος σύμφωνα με το παράρτημα 7, σχήμα 25a και 25b της κοινοτικής οδηγίας ECE-R 55.
- HU** Biztosítani kell az ECE-R 55 irányelv szerinti, 7. számú függelék, 25a. és 25b ábrákban jelölt szabad teret.
- I** Deve essere garantito lo spazio libero secondo l'allegato VII, figure 25a e 25b della normativa europea ECE 55 R-01.
- N** Det må sikres for fritt rom i samsvar med tillegg 7, figur 25a og 25b i direktiv ECE-R 55.
- NL** De vrije ruimte volgens supplement 7, afbeelding 25a en 25b van richtlijn ECE-R 55 moet gewaarborgd zijn.
- PL** Należy zapewnić wolną przestrzeń zgodnie z załącznikiem 7, rys. 25a i 25b, dyrektywy ECE-R 55.
- RUS** Оставлять свободное пространство согласно Приложению 7, рис. 25a и 25b Директивы ECE-R 55.
- S** Spelrummet enligt bilaga 7, bild 25a och 25b i riktlinje ECE-R 55, måste garanteras.

- D** \* bei zulässigem Gesamtgewicht des Fahrzeuges
- CZ** \* při celkové přípustné hmotnosti vozidla
- DK** \* ved tilladt totalvægt for køretøjet
- E** \* con peso total autorizado del vehículo
- F** \* pour poids total en charge autorisé du véhicule
- FIN** \* Ajoneuvon suurimmalla sallitulla kokonaispainolla
- GB** \* at gross vehicle weight rating
- GR** \* για το επιτρεπτό μικτό βάρος του οχήματος
- HU** \* A jármű megengedett összsúlya esetén
- I** \* per il peso complessivo ammesso del veicolo
- N** \* ved kjøretøyets tillatte totalvekt
- NL** \* bij toegestaan totaal gewicht van het voertuig
- PL** \* przy dopuszczalnym ciężarze całkowitym pojazdu
- RUS** \* при допустимом общем весе автомобиля
- S** \* vid fordonets tillåtna totalvikt



[umbrarimorchi.pl](http://umbrarimorchi.pl)